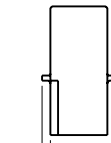
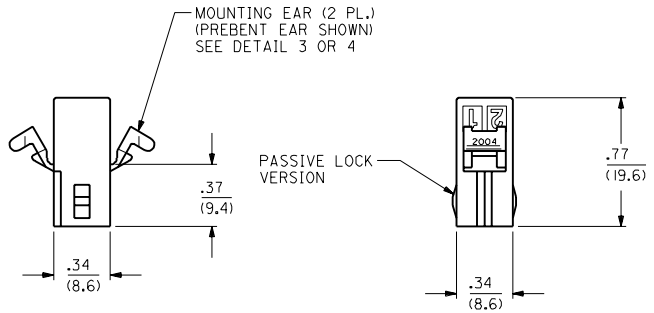
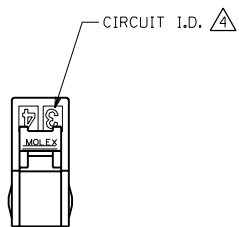
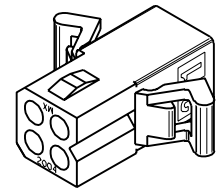
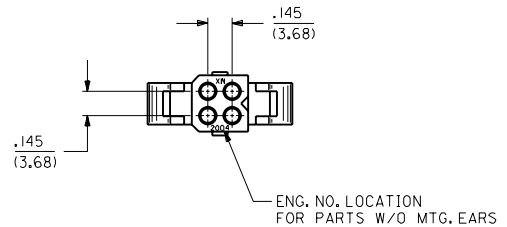


DETAIL 1
POSITIVE LOCK VERSION
ENG. NO. 2004-R5*



DETAIL 2
RECEPTACLE WITHOUT EARS
OR DETENTS, ENG. NO. 2004-R3*

ALLOWANCE OF .000/.060 (0.00/1.52) (2 PL.) FOR CUT OFF OF MOUNTING EARS



RECEPTACLE HOUSING

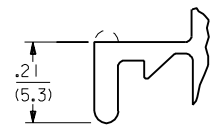
DIMENSIONS SHOWN METRIC INCH		▽ = 0 ▼ = 0		REVISE ONLY ON CAD SYSTEM	
UNLESS OTHERWISE SPECIFIED TOLERANCES: ANGULAR ± .0010		TITLE		PLUG AND RECEPTACLE HOUSINGS, 4 CIRCUIT .062/(1.57) DIA.	
INCH METRIC		PART NO.		DRAWING NO.	
3 PLACE ± .010	---	SEE CHART		SD-2004-*	
2 PLACE ± .014	± 0.25	FILE NAME		H2004C4	
1 PLACE ---	± 0.36	SCALE		4: 1	
DRAFT WHERE APPLICABLE MUST REMAIN WITHIN DIMENSIONS		DATE		8/27/91	
DRG. BY: RS		CHKD. BY: RW		DIV.:	
APP'D. BY:		SCALE:		SIZE:	
LTR. REVISIONS		LTR. REVISIONS		CP C	

PLUG		
PART NO.	ENG. NO.	
03-06-2043	2004-P	
03-06-7043	2004-PBK	
03-06-2044	2004-PI	
03-06-7044	2004-PIBK	
PRELIMINARY	2004-P2	
03-06-7045	2004-PIRD	OBSOLETE
03-06-7046	2004-PIBN	OBSOLETE
03-06-7047	2004-PIOR	OBSOLETE

RECEPTACLE		
PART NO.	ENG. NO.	
03-06-1043	2004-R	
03-06-6043	2004-RBK	
03-06-1044	2004-RI	
03-06-6044	2004-RIBK	OBSOLETE
03-06-1046	2004-R3	OBSOLETE
03-06-1052	2004-R5	OBSOLETE
03-06-6052	2004-R5BK	OBSOLETE
PRELIMINARY	2004-R2	
03-06-6045	2004-RRD	OBSOLETE
03-06-6046	2004-RBN	OBSOLETE
03-06-6048	2004-ROR	OBSOLETE

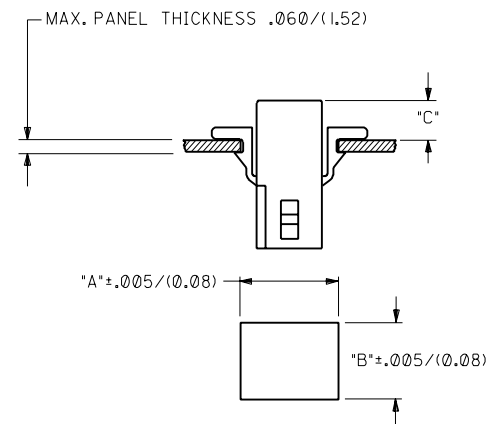
LEGEND:

2004-***
 P = PLUG
 R = RECEPTACLE
 BLANK = WITH STANDARD EARS
 1 = WITHOUT EARS
 2 = WITH PREBENT EARS
 3 = W/O EARS, W/O DETENTS
 5 = W/O EARS, WITH POSITIVE LOCKS

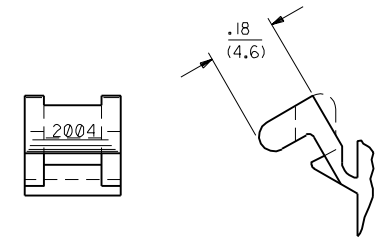


COLOR: _____
 BLANK = NATURAL
 AM=AMBER BK=BLACK BU=BLUE
 BN=BROWN GY=GRAY GN=GREEN
 OR=ORANGE RD=RED YW=YELLOW

NOTE:
 THIS DRAWING ENCOMPASSES ALL 2004 SERIES HOUSINGS EXCEPT 2004-R7.



- NOTES:**
- MATERIAL - NYLON TYPE 6/6, 94V-2
 - THIS PRODUCT COMPLIES WITH MOLEX PRODUCT SPEC 02-06.
 - HOUSINGS FOR USE WITH MOLEX .062/(1.57) DIA. SERIES TERMINALS.
 - CIRCUIT I.D. NUMBERS ON SIDE OF HOUSING APPEAR ON PARTS FROM TOOLS BUILT AFTER 8/26/91.
 - THIS DIMENSION .020/(0.51) LESS ON TOOLS BUILT PRIOR TO 8/26/91.



DETAIL 4
 PREBENT MOUNTING EARS
 (SCALE 4:1)

HOUSING	DIM. "A"	DIM. "B"	PREBENT EAR DIM. "C"	STD. EAR DIM. "C"
PLUG	.615 (15.62)	.465 (11.81)	.26 (6.6)	.26 (6.6)
RECEPTACLE	.506 (12.85)	.400 (10.16)	.24 (6.1)	.24 (6.1)

DIMENSIONS SHOWN (METRIC) INCH UNLESS OTHERWISE SPECIFIED TOLERANCES ANGULAR ± 10°		▽ = 0 ▼ = 0		REVISE ONLY ON CAD SYSTEM
INCH METRIC		TITLE PLUG AND RECEPTACLE HOUSINGS, 4 CIRCUIT .062/(1.57) DIA.		
3 PLACE ± .010	---	PART NO. MOLEX INCORPORATED SHEET NO. 3 DATE 8/28/91		
2 PLACE ± .014 ± 0.25	---	U.S.A.		
1 PLACE --- ± 0.36	---	DRAWG. NO. SD-2004-*		
DRAWING FILE NAME H2004C4 S206		DRAWING FILE NAME H2004C4 S206		
DRAWN BY JJS CHK'D BY RW		SEE CHART		
APP'D BY RS SCALE 2 : 1		THIS DRAWING CONTAINS INFORMATION THAT IS PROPRIETARY TO MOLEX INC. AND SHOULD NOT BE USED WITHOUT WRITTEN PERMISSION.		
LTR. REVISIONS		LTR. REVISIONS		